



# Valve Regulated Lead-Acid Rechargeable Battery



## HR9-6

(36W/Cell 15Min Rate)

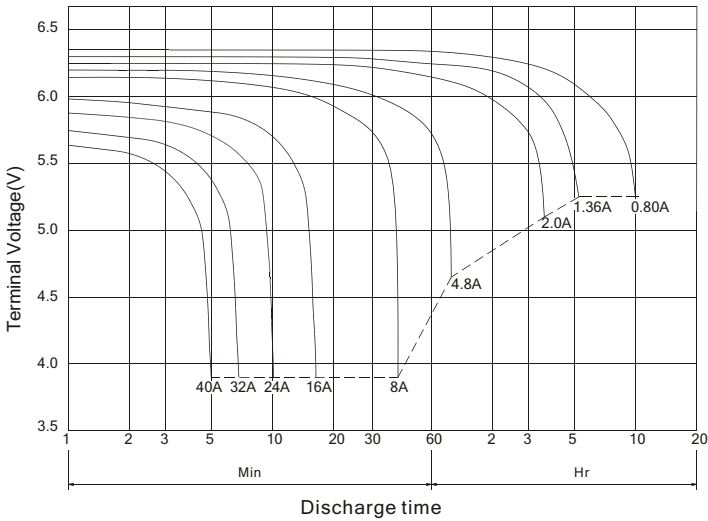
### For High Rate Discharge

The battery is constructed by plates, separators, safety valves and container. Since the electrolyte is held by a glass-mat separator and plates, the battery can be used in any direction and position without leakage.

## PERFORMANCE SPECIFICATIONS

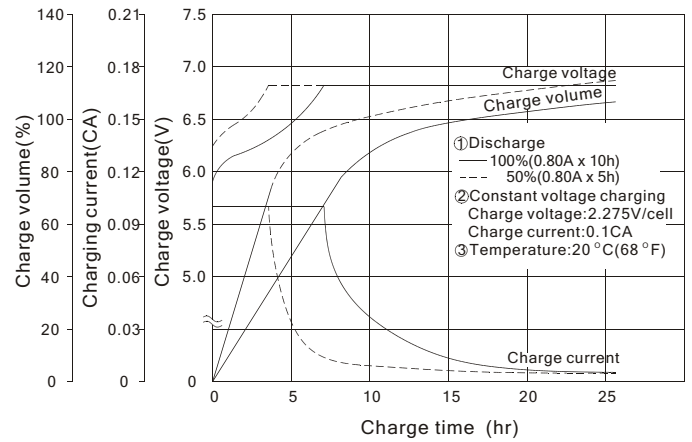
Nominal Voltage(V).....	6 volts(3cells in series)
Nominal Capacity(Ah)	
10 Hour rate F.V.(1.75V/cell) (800mA to5.25volts) .....	8.0Ah
15 Min rate F.V.(1.30V/cell) (216W to 3.90volts) .....	4.5Ah
Approximate Weight .....	1400g(3.09lbs.)
Terminal	
Standard.....	Type T2
Optional.....	Type T1
Internal Resistance (Fully Charged Battery).....	<8mΩ
Maximum Discharge Current For 5 sec.(A).....	120A
Maximum Charge Current(A).....	2.4A
Ambient Temperature	
Charge.....	0°C(32°F)~40°C(104°F)
Discharge.....	-20°C(-4°F)~50°C(122°F)
Storage.....	-20°C(-4°F)~40°C(104°F)
Vibration test:	
Frequency: 16.7Hz	
Amplitude: 4mm	
Vibrate the battery horizontally or vertically for 60 minutes. The battery have no abnormality.	
Case.....	ABS
Dimension(mm/inch)	
Length           ±1.5mm.....	151/5.94
Width           ±1.5mm.....	34/1.34
Container Height ±1.5mm.....	94/3.70
Total Height    ±2mm.....	100/3.94
Application.....	UPS, Laboratory Equipment, Toy-Cars, Power Packs, Fishing Lights.

## HR9-6 Battery discharge characteristics (25 °C/77 °F)



## Battery Charging Characteristics

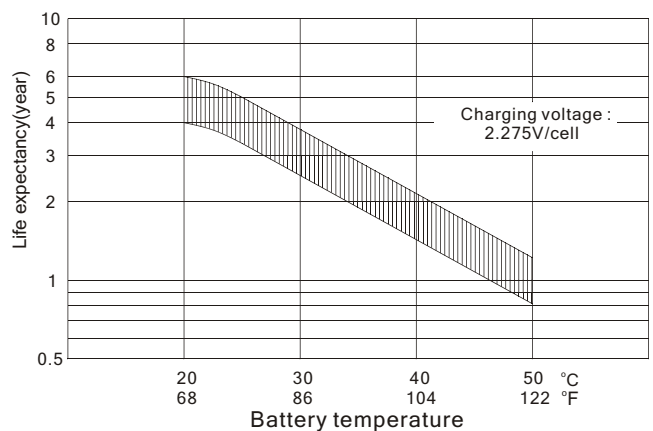
(Typical example of the charge characteristic for the standby use)



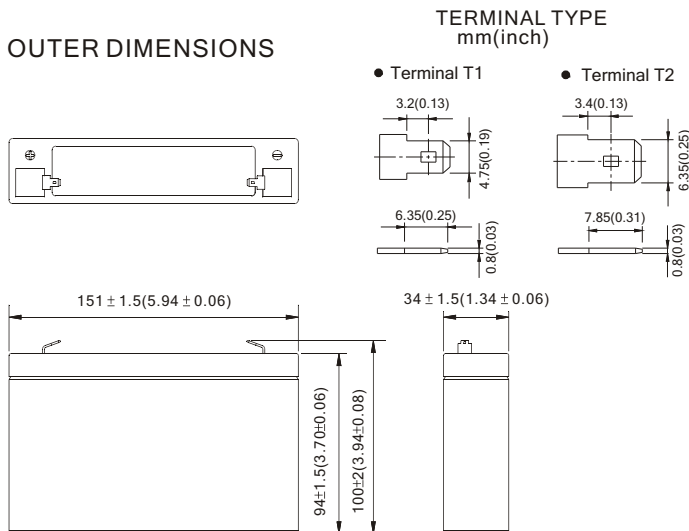
## Charging Procedure

Application	Charging method	Charging Voltage at 20 °C (V/cell)	Temperature compensation coefficient of charging voltage (mV/°C/cell)	Max. charging current (CA)	Charging time 0.1CA, 20 °C (h)		Temp (°C)
					100% discharge	50% discharge	
For standby power Source	Constant voltage & Constant current charging (with current restriction)	2.25~2.30	-3	0.3	24	20	0~40 (32~104°F)
For cycle service		2.40~2.50	-4	0.3	16	10	

## Effect of Temperature on Long Term Float Life



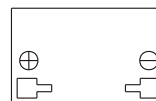
## OUTER DIMENSIONS



## Constant power discharge characteristics at 25°C/77°F

Final Voltage	Discharge time							
	5Min	10Min	15Min	20Min	30Min	40Min	50Min	60Min
5.40V	184.5	126.0	91.3	77.9	59.2	45.0	37.6	33.1
5.10V	220.5	140.7	99.3	82.5	61.7	46.7	38.8	33.9
4.80V	236.3	148.0	103.8	85.5	63.0	47.8	39.6	34.5
4.50V	243.0	150.8	106.0	86.9	63.8	48.4	40.1	34.8
4.20V	247.5	152.8	107.2	87.7	64.3	48.7	40.4	35.0
3.90V	249.8	154.2	108.0	88.2	64.6	49.0	40.6	35.1

## TERMINAL POSITION



**B.B. BATTERY CO., LTD.**

Web Site: <http://www.bb-battery.com>

**USA:**  
B&B BATTERY(USA) INC.  
6415 RANDOLPH ST.COMMERCE,  
CA,90040 U.S.A.  
TEL:1-323-278-1900.1-800-278-8599  
FAX:1-323-278-1268  
E-Mail:sales@bb-battery.com

**EUROPE:**  
B&B BATTERY(EUROPE) B.V.  
3 WIJNGAARDVELD, 9300 AALST,BELGIUM  
TEL:(00)32-53781567  
FAX:(00)32-53781567  
E-Mail:hansdevriese@bb-battery.com

**CHINA FACTORY:**  
B.B. BATTERY CO., LTD.  
CHENG DONG TRIAL AREA,HUANG GANG,  
RAOPING, GUANG DONG,CHINA,515700  
TEL:86-768-7601001-2  
FAX:86-768-7601469  
E-Mail:maggy@bb-battery.com

**HONG KONG:**  
NATIONAL TRADING LTD.  
TEL:852-2301-3800  
FAX:852-2739-1182  
E-Mail:bbhk@hkstar.com

**JAPAN:**  
B&B BATTERY(JAPAN) CO., LTD.  
1375-11 NARAHARA-MACHI,HACHIOJI,  
TOKYO 193-0803,JAPAN.  
TEL:81-426-25-6375  
FAX:81-426-25-6375  
E-Mail:miyata@bb-battery.com

**TAIWAN:**  
B.B. BATTERY(TAIWAN) CO., LTD.  
TEL:886-6-502-5150  
FAX:886-6-589-8087  
E-Mail:maggy@bb-battery.com

